

MFS MixJet Series - silent inline mixed flow



MFS Series

Ultra low noise in line duct type fans using a mixed flow impeller design with two speed motors as standard. Ideal for applications requiring high air flow performance at very low sound levels.

Construction

The range is fitted with mixed flow impellers driven by long life motors with sealed for life bearings. Cases are made from polymer coated steel.

Features

Class leading sound performance.
High or Low speed operation.
Speed controllable with VA controller (on high fan speed setting).

Testing

Rated fan performance has been tested in accordance with the requirements of ISO 5801 : 2007. Fans sound data has been determined by testing to ISO 13347 : 2004.

Wiring

Fans are fitted with flex leads and plugs.

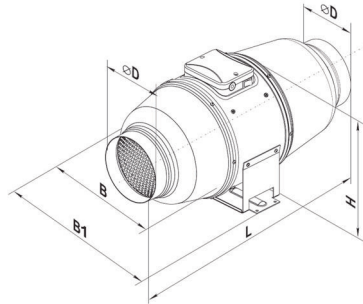


Fig.1

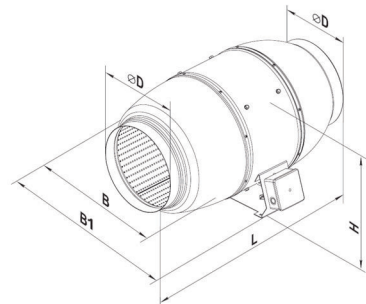


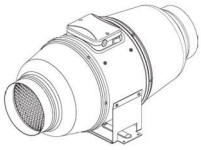
Fig.2

Suggested Specification

Silent mixed flow type fans shall be of the MFS Series with two speed motors supplied by Pacific HVAC Engineering. Mixed flow impellers shall be driven by long life motors with sealed for life bearings. All fans shall be fully tested in accordance with the requirements of ISO 5801 : 2007 for air flow and ISO 13347 : 2004 for sound.

Fan Model	ØD	B	B1	L	H	Weight,	Figure
MFS 100	98	215	243	505	237	4.6	1
MFS 125	123	215	243	474	237	4.6	1
MFS 150	147	247	274	580	260	6.1	1
MFS 200	198	293	386	550	295	8	2
MFS 250	248	358	445	658	360	15	2
MFS 315	313	432	520	780	434	25	2

Fan Model	Full Load Current	Motor kW	Shaft Revs /sec	dB(A) @ 3m	SPL dB referred to 10 ⁻¹² W							
					63	125	250	500	1K	2K	4K	8K
MFS100-V-HIGH	0.11	0.026	44	33	50	51	53	52	50	42	36	31
MFS100-V-LOW	0.1	0.024	34	26	44	47	45	46	44	36	30	25
MFS125-V-HIGH	0.13	0.034	39	30	45	41	48	52	45	39	33	30
MFS125-V-LOW	0.11	0.025	28	27	42	42	45	48	42	36	30	27
MFS150-V-HIGH	0.23	0.052	44	38	47	48	54	58	55	48	42	37
MFS150-V-LOW	0.2	0.045	33	30	43	40	48	50	47	40	35	29
MFS200-V-HIGH	0.49	0.11	41	36	50	53	53	52	50	52	46	41
MFS200-V-LOW	0.35	0.078	34	31	48	48	50	47	45	47	41	36
MFS250-V-HIGH	0.79	0.178	42	41	58	59	61	60	58	50	46	45
MFS250-V-LOW	0.52	0.127	33	35	55	53	56	54	52	46	44	42
MFS315-V-HIGH	1.41	0.313	42	46	60	65	62	63	60	61	56	53
MFS315-V-LOW	0.93	0.213	33	40	52	60	58	57	55	55	50	47



MFS MixJet Series - silent inline mixed flow

Ancillaries

